



## WTA Series 350 Series Wedge Tap Connectors

AFL Wedge Tap Connectors are used to make complete aluminum-to-aluminum and aluminum-to-copper electrical connections. The bolted wedge technology makes installations quicker, easier and safer when compared with traditional tap connectors by eliminating the need for specialized tooling for the same type of connection. Once the appropriate pressure is obtained by the wedge, the breakaway bolt will shear off giving a visual indication that a correct installation has been made.

The connector is rated for the full current of the conductors within its range. As the conductors expand and contract under thermal cycling, the C-shaped body operates within the elastic region of its mechanical properties, allowing the connection to maintain constant pressure, resulting in reliability of performance.

This connector is reusable and can easily be removed by backing out the bolt, which will drive out the wedge. AFL recommends replacing the bolt and applying more inhibitor grease when reusing.

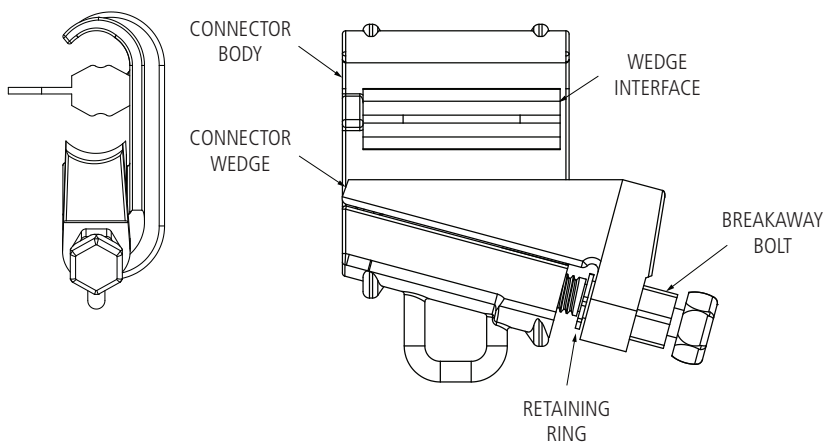
The wedge tap connectors are comprised of high strength aluminum castings, a breakaway bolt and a highly conductive aluminum interface, providing a secure, reliable solution with an installation that is both fast and simple.

### Standard Packaging

QUANTITY	WEIGHT
50	25 lbs

### Features

- Material
  - Connector Body—Aluminum Alloy
  - Connector Wedge—Aluminum Alloy
  - Breakaway Bolt—Aluminum
  - Retaining Ring—Steel
  - Connector Interface—6101-T6
- Breakaway Bolt Torque: 10-12 ft-lbs
  - Bolt Head size: 5/8"
- For use on ACSR, AAC and AAAC conductors
- For Aluminum-to-Copper connections, the copper wire should be located on the bottom in order to minimize contamination.



\* Not rated for HT Conductors

*continued*  
→

**WTA Series**  
**350 Series Wedge Tap Connectors (cont.)**

**Ordering Information**

LINE NO.	AFL NO.	RUN		TAP		CPI NO.
		CONDUCTOR SIZE	CONDUCTOR DIAMETER RANGE	CONDUCTOR SIZE	CONDUCTOR DIAMETER RANGE	
1	WTA-609/162	266.8 ACSR, 300 MCM, 336.4 AAC, 336.4 ACSR 18/1, 350 MCM	0.609" - 0.684"	#6, #4 AAC	0.162" - 0.231"	350117
2	WTA-609/232			#4	0.232" - 0.291"	350118
3	WTA-609/292			#2, #1 AAC	0.292" - 0.327"	350119
4	WTA-609/328			#1, 1/0 AAC	0.328" - 0.397"	350120
5	WTA-609/398			1/0 ACSR, 2/0	0.398" - 0.446"	350121
6	WTA-609/447			2/0 ACSR, 3/0	0.447" - 0.521"	350122
7	WTA-609/522			4/0, 250	0.522" - 0.591"	350123
8	WTA-609/592			266.8 - 19 AAC, 300 AAC, 266.8 ACSR	0.592" - 0.664"	350124
9	WTA-609/665			300 ACSR 26/7, 350, 336.4 18/1	0.665" - 0.684"	350125

\* For Replacement Breakaway Bolts, see page 17 of the TAPLINK® catalog for ordering information.

**Qualifications**

GOVERNING BODY	STANDARD CODE
ANSI	C119.4

**Contact AFL for further details.**